

Congratulations on your choice of a MBQuart Bluetooth controller. This “Quick Start” Installation guide is meant to help you complete a basic installation. For more detailed information, visit our website at MBQuart.com and go to the TEQ Support section or the Frequently asked questions.



CAUTION

Always consider consulting a professional audio installer before installing any audio components. Be careful and take your time. Do not let wires make contact with metal edges or hot engine components.

Switch Mounting

MOUNTING

The controller is designed to mount in a standard rocker switch opening for accessories. Do not attempt to remove the unit from the switch housing. The housing is an integral part of the unit.

The unit itself requires a 0.83 inch (21mm) wide by 1.4 inch (37mm) high opening with at least 2.5 inches of clearance behind the mounting surface. Before drilling any holes make sure there are no obstructions behind the mounting surface.

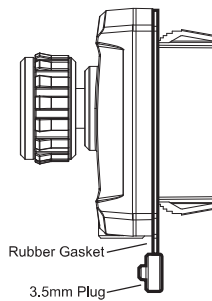
Keep enough space around the controller if possible to accommodate the operator’s fingers.

RUBBER GASKET

Make sure the included rubber gasket remains in place during installation. This gasket aides in the unit remaining water resistant.

AUX INPUT – 3.5MM JACK

The 3.5mm input jack is located on the bottom of the unit. Remember to re-insert the water resistant rubber plug when not using the input. The control unit should always be mounted with the 3.5mm jack on the bottom.



Multi-Function Joystick Operation

The multi-function joystick has multiple operations for various features. Take a minute to familiarize yourself with all of the following to better and more quickly navigate your new Bluetooth controller.

VOLUME

Slowly turn the controller clockwise to increase volume and counter clockwise to decrease volume. Turning the dial quickly does not increase the speed of volume increase or decrease. Under AUX mode the volume will be controlled by your device.

POWER ON/OFF

A. Press and hold control volume for 3 seconds to power the unit on/off

3.5MM SIGNAL INPUT

A. the controller will automatically switch from Bluetooth to the AUX input by plugging you device into the 3.5mm input.

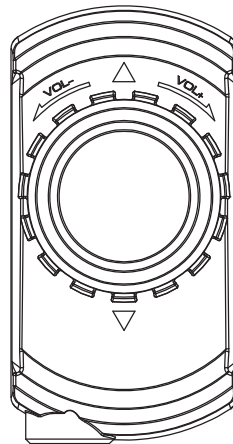
BLUETOOTH CONTROL

RIGHT/DOWN TOGGLE

A. Toggle right or down to advance to the next track

LEFT/UP TOGGLE

A. Toggle left or down to back up to previous track

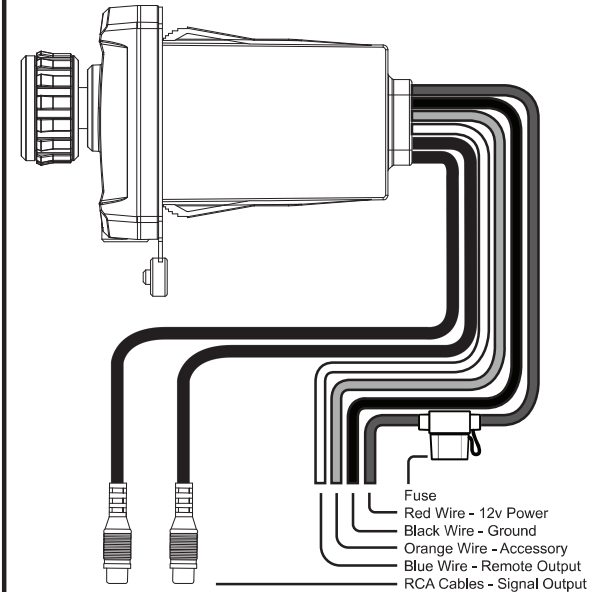


Wiring

The wiring and connections should be secure and away from any moving parts or extremely hot surfaces.

The RCA signal output can be connected directly to an amplifier or to the auxiliary input of an audio head unit.

The blue remote wire provides a +12V output to turn on an amplifier.



- Fuse
- Red Wire - 12v Power
- Black Wire - Ground
- Orange Wire - Accessory
- Blue Wire - Remote Output
- RCA Cables - Signal Output

Bluetooth Device Pairing

The pairing process can vary based on your particular device. Refer to the operating instructions of your device. Below is the general process to connect the controller.

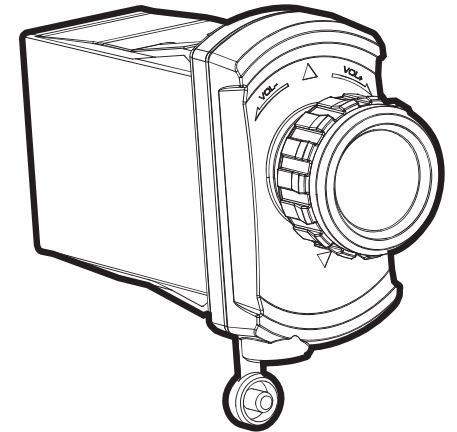
The Bluetooth Controller will flash slowly when “searching” for the last paired device.

If no device is located, it will flash quickly indicating it is ready to pair to a new device. On your Bluetooth enabled device, search for MB QUART under Bluetooth settings.

Select MB QUART; wait for the device to indicate “connected”. The status indicator will change to solid red. Music will now play through the system.

MBQUART  [®]
MUSIC. DEFINED.

Quick Start Installation Guide



WARRANTY

Maxxsonics USA Inc. warrants this product, to the original consumer purchaser, to be free from defects in material and workmanship for a period of one (1) year from the date of purchase. Maxxsonics USA Inc. will, at its discretion, repair or replace defective products during the warranty period. Components that prove to be defective in materials and workmanship under proper installation and use must be returned to the original authorized Maxxsonics USA Inc. retailer from where it was purchased. A photocopy of the original receipt must accompany the product being returned. The costs associated with removal, re-installation and freight are not the responsibility of Maxxsonics USA Inc. This warranty is limited to defective parts and specifically excludes any incidental or consequential damages connected therewith. To view the full warranty, please visit the website.

MBQuart products are designed and engineered in the USA by

MAXXSONICS[®]
www.maxxsonics.com

N2-WBT
Bluetooth[®] Controller