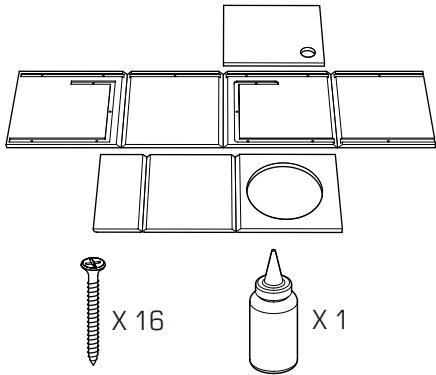
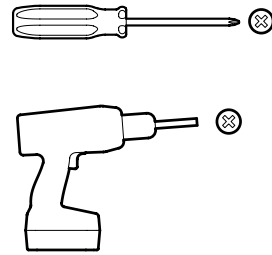


Contents

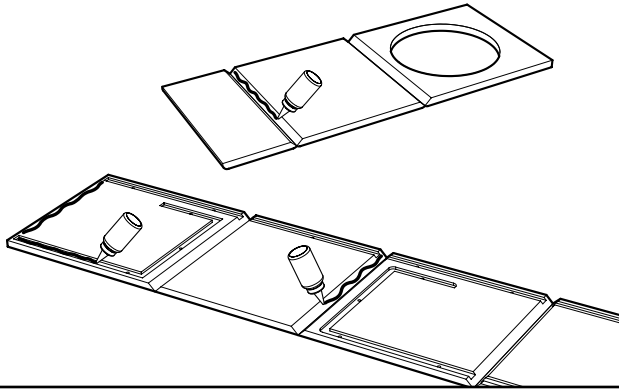


Tools



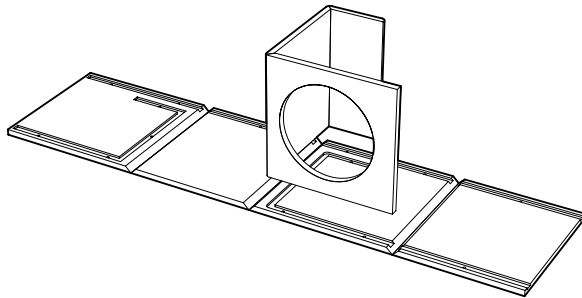
1 Apply glue to joints and grooves

Apply glue to all of the joints and grooves. Make sure to include a line of glue at the woofer end of the panel array as shown.



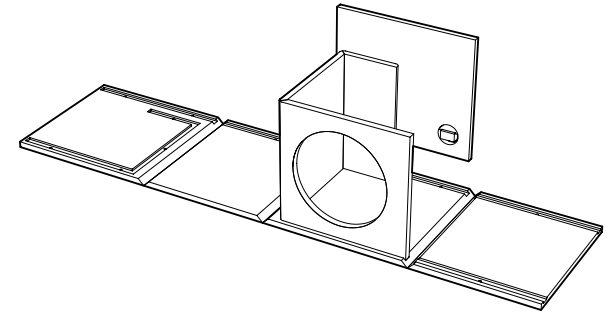
2 Place baffle array

Fold and place baffle array as shown being careful not to get glue on any carpeted surfaces.



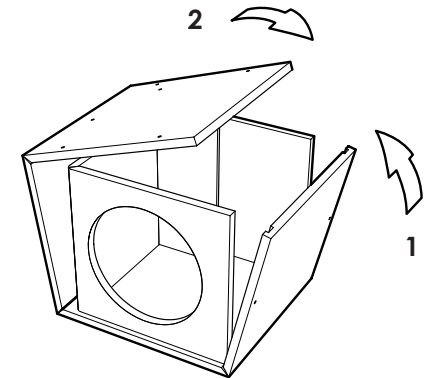
3 Place rear panel

Place the rear panel with the carpeted side facing out and the connection terminal close to the bottom panel



4 Fold up enclosure

Fold the panel array by starting at the left making sure the baffle and rear panels align with the grooves. Finish the fold by lifting the right side panel into place.



5 Attach panel screws

Secure the enclosure with screws. Start with the three screws above on the top right side of the enclosure. Finish the remaining screws in any order.

For best performance, use the remaining glue to seal the inside seams

